

# Palletizing Safety Systems



## GRIP FIX™

### The palletizing adhesive

GRIP FIX™ anti-slip agents are water-soluble and solvent-free adhesives to secure packages on pallets

## BAG FIX™

The GRIP FIX™ anti-slip agents are applied with tailored made BAG FIX™ application systems on each package when they are palletized

## *Solves Problems in Material Handling:*

- Increase Pallet-Stability
- Reduce cost of additional Packaging
- Reduce cost of Rejections



Where Solutions begin...

**Ms. Aparna Bhattacharjee**

+ 91 - 9789866585

aparna.bhattacharjee@dsmagencies.com

**DSM Agencies (P) LTD**, No. 1, 15th Cross Street, Shastri Nagar, Adyar, Chennai - 600 020, India.

Tel : +91-44-3290 3480 Fax : +91-44-2491 0847

enquiry@dsmagencies.com

www.dsmagencies.com

# Benefits

Usual problems in material handling/packaging can be avoided:



Leaning pallets off shape



Increased amount of waste to dispose



Collapsing pallets

## GripFix Anti-Slip Agents

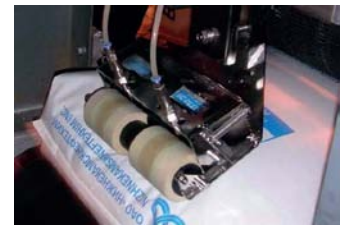
- Waterbased and solvent free
- More than 120 different formulations
- FDA/BFR approved for food packaging
- 100% biodegradable
- Zero Carbon Footprint

Pressing top-layer by grid or coated plate

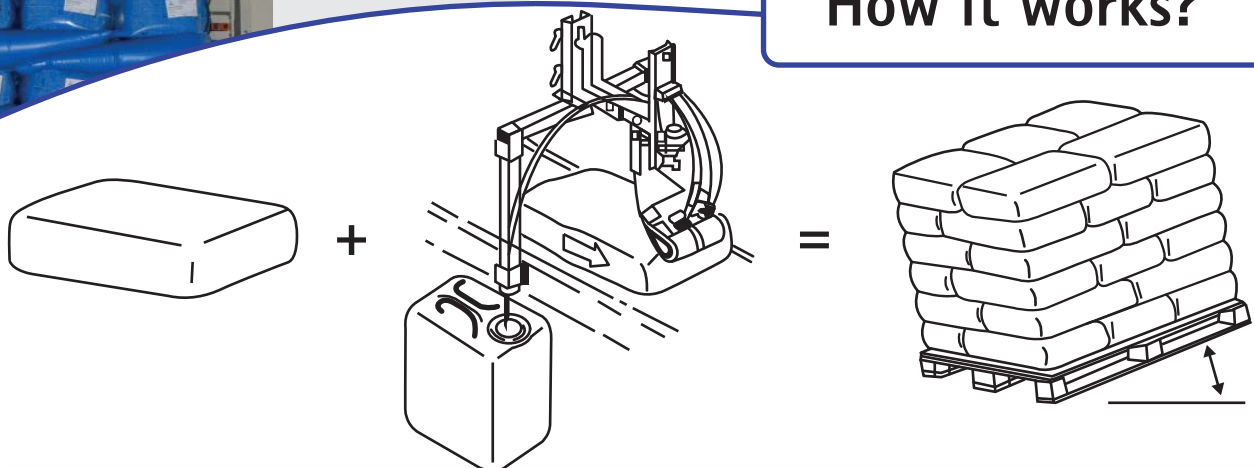


## BagFix Application Machines

- Spray/Sprinkle Application for Paperbags, Cartons
- Roller/Stripe Application for PE/PP-bags



How it works?



High Shear Strength, Low Tensile Strength



Where Solutions begin...

Ms. Aparna Bhattacharjee

+ 91 - 9789866585

aparna.bhattacharjee@dsmagencies.com

DSM Agencies (P) LTD, No. 1, 15th Cross Street, Shastri Nagar, Adyar, Chennai - 600 020, India.

Tel : +91-44-3290 3480 Fax : +91-44-2491 0847

enquiry@dsmagencies.com

www.dsmagencies.com